



Rockford Sanitary Systems, Inc.

ROCKFORD, IL 61125-0963

(815) 229-5077 - (800) 747-5077 - FAX (815) 229-5108

WEB SITE-www.rkfdseparators.com E MAIL-rssem@inwave.com

MODEL NO. RTO-05

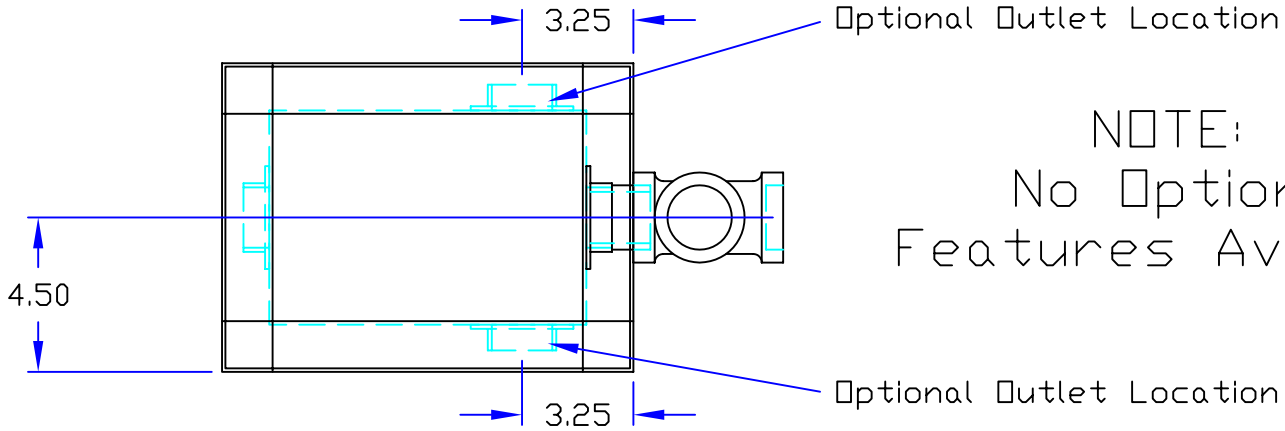
GREASE SEPARATOR

DRAWN BY

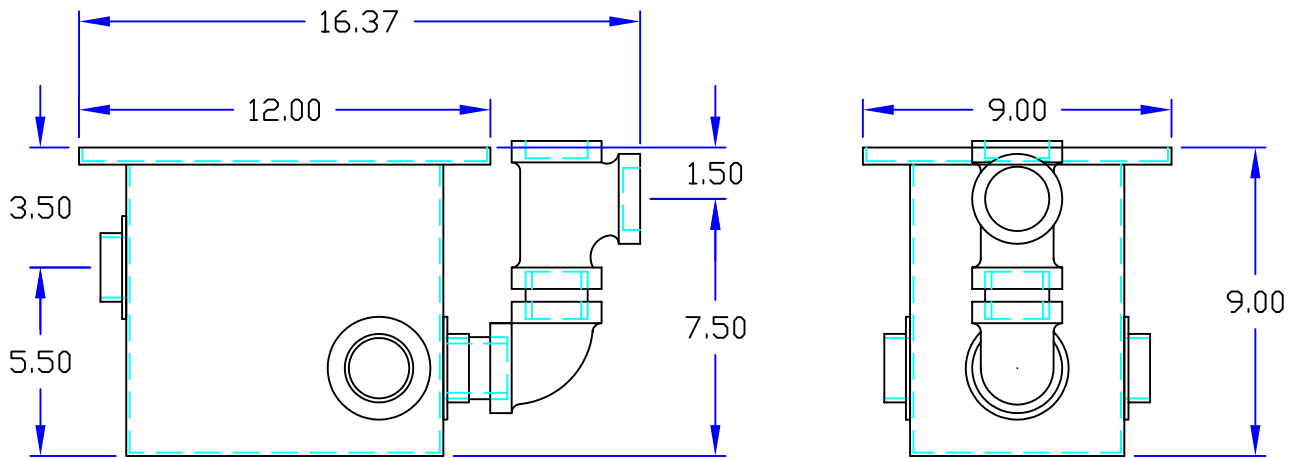
QUOTE #

JOB NAME

W.R.W.



NOTE:  
No Optional  
Features Available



## Specifications

Rockford Model RTO-05 all welded steel separator, 1.7 gallon static capacity, 05 g.p.m. intermittent flow, 1.50" tapped inlet and outlet connection, 07 lbs. greasy sludge capacity, visible double-wall outside trap seal, easily removable filter screen removable 3/16" nonskid diamond tread-plate cover for on the floor or flush in the floor installation suitable for pedestrian traffic secured with stainless flat head screws, heavy duty leak-proof gasket, enamel coating inside and outside. Shipped with outlet fittings, & (2) plugs for unused optional outlet locations.

Approved By

Company

Date