



Rockford Sanitary Systems, Inc.

ROCKFORD, IL 61125-0963

(815) 229-5077 - (800) 747-5077 - FAX (815) 229-5108

WEB SITE-www.rkfdseparators.com E MAIL-rssem@inwave.com

MODEL NO. G-50-L0-M

GREASE SEPARATOR

DRAWN BY

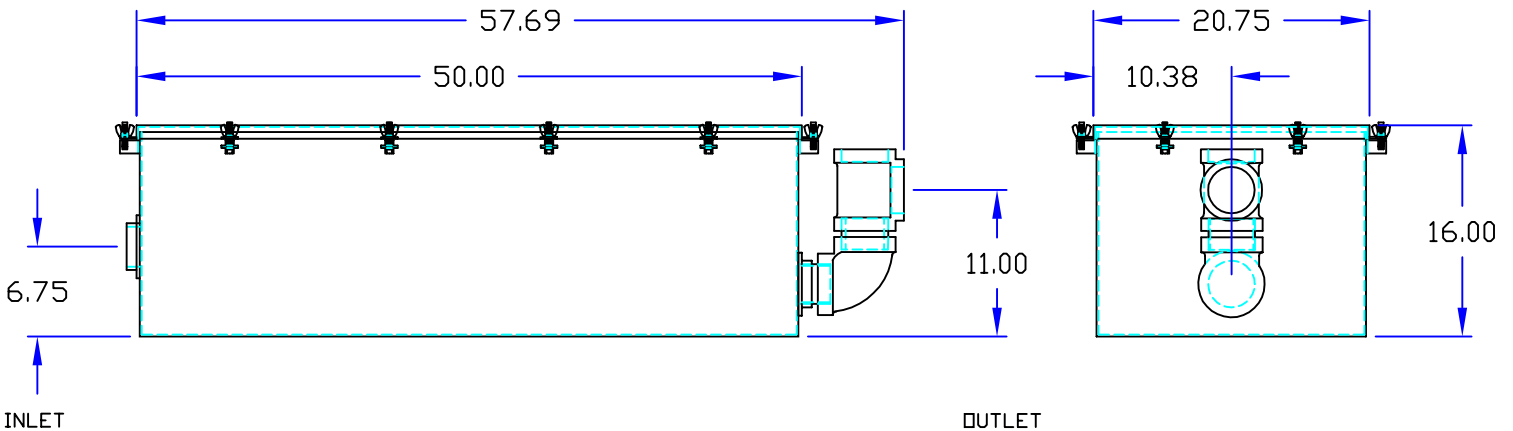
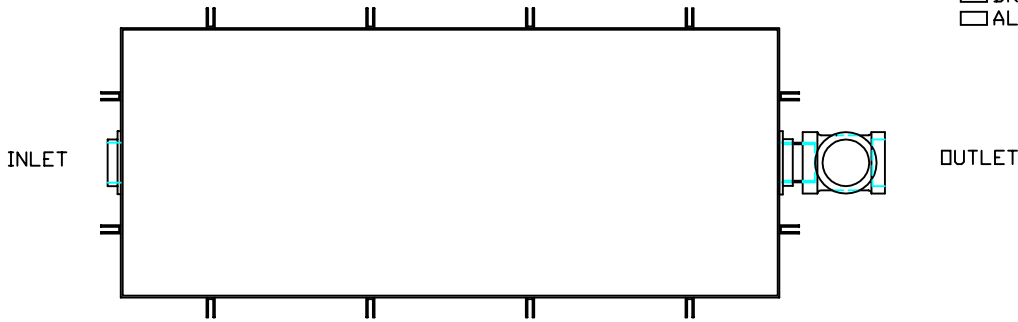
QUOTE #

JOB NAME

W.R.W.

OPTIONAL FEATURES (ADDITIONAL COST)

- EPOXY COATING
- STAINLESS STEEL CONSTRUCTION
- SEDIMENT BASKET FILTER MEDIA
- DRAW OFF VALVE
- ALTERNATE INLET & OUTLET SIZE ____ INCHES



Specifications

Rockford Model G-50-L0-M all welded 10 Ga. steel separator, 41 gallon static capacity, 50 g.p.m. intermittent flow, 3.00" tapped inlet and outlet connection, 250 lbs. greasy sludge capacity, visible double-wall outside trap seal, easily removable filter screen gasketed cover hand-tightened to body with safety-catch bolt assemblies, enamel coated inside and outside.

Optional features (Additional cost) listed above

Approved By

Company

Date